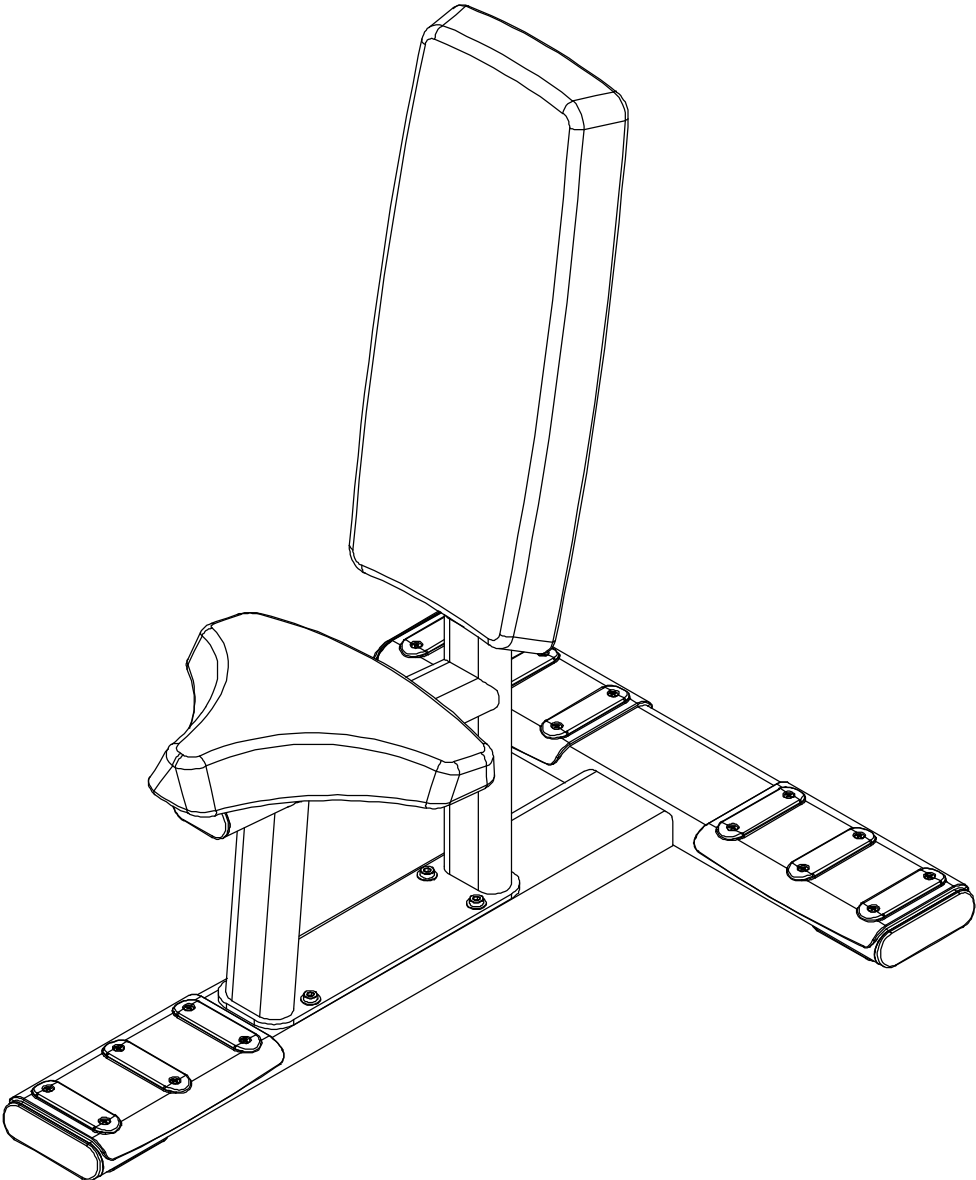
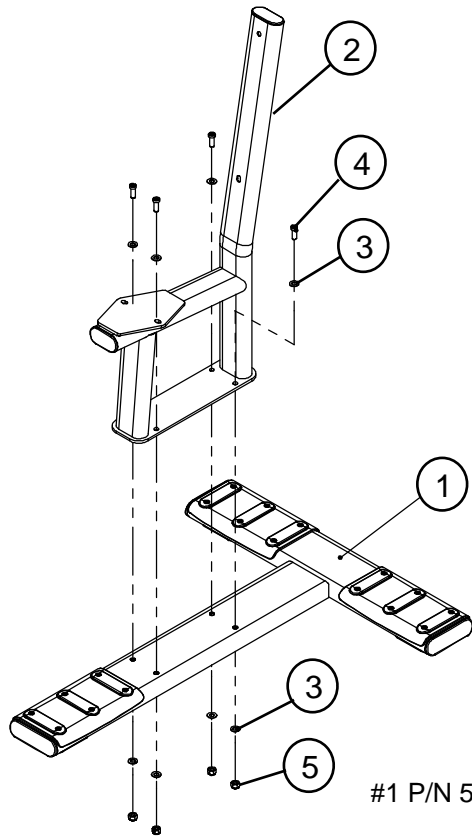


# ***UTILITY BENCH***

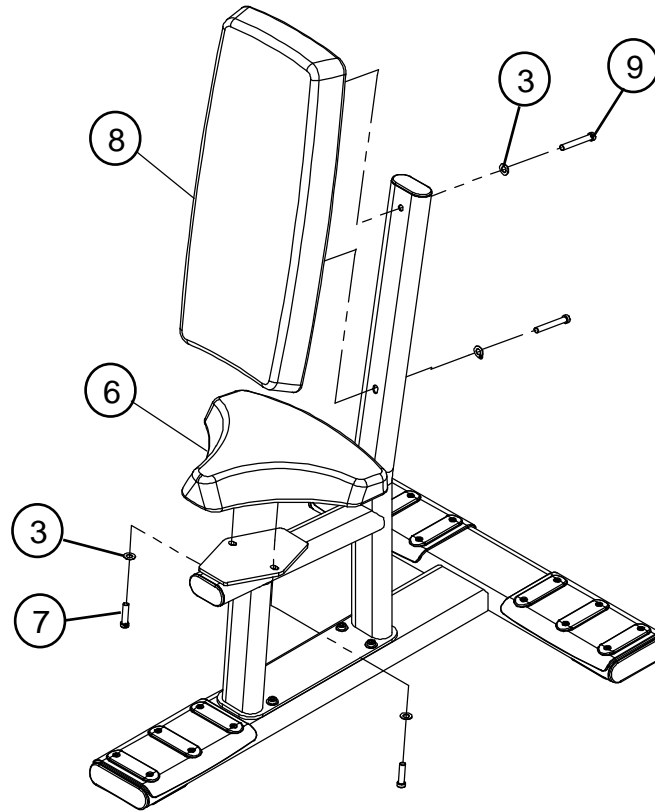


## PARTS LIST

| ITEM | QTY | PART NO   | Paragon P/N | DESCRIPTION                                   | CHINESE DESCRIPTION      |
|------|-----|-----------|-------------|---|--------------------------|
| 1    | 1   | 53020PA-A | P20-3115    | PTD ASSY, UB BASE FRAME                       | 底管組                      |
| 2    | 1   | 53021PA-A | P20-3116    | PTD ASSY, UB SEAT FRAME                       | 支撐管組                     |
| 3    | 12  | 2001101   |             | WASHER, FLAT 3/8 SAE ST ZN                    | 平面華司 20X10.5X1.0T        |
| 4    | 4   | 2005403   |             | BOLT, 3/8-16 X 1" (25mm) SOCKET HEAD          | 六角承窩螺絲 3/8"x 1"L         |
| 5    | 4   | 2001201   |             | NUT, 3/8-16 LK ST ZN                          | 尼龍螺帽3/8"-16x11T          |
| 6    | 1   | 5246201-B | P07-0434    | PAD, SMALL SEAT                               | 座墊                       |
| 7    | 2   | 2006405   |             | BOLT, 3/8-16 X 1-1/2" (38mm) SOCKET HEAD W/NP | 六角承窩螺絲 3/8"x 1 1/2"L 點耐落 |
| 8    | 1   | 5308501-A | P07-0449    | PAD, MEDIUM BACK                              | 背墊                       |
| 9    | 2   | 2006410   |             | BOLT, 3/8-16 X 2-3/4" (70mm) SOCKET HEAD W/NP | 六角承窩螺絲 3/8"x 2-3/4"L 點耐落 |
| 10   | 1   | 5302001   | P04-2946    | UB BASE FRAME WELDMENT                        | 底管組                      |
| 11   | 1   | 5205401-A | P06-2129    | END CAP, FLATOVAL                             | 橢圓管塞                     |
| 12   | 2   | 5226901-A | P06-2136    | TREAD COVER                                   | 腳墊                       |
| 13   | 1   | 5271701-A | P06-2204    | FOOT PAD                                      | 腳墊                       |
| 14   | 12  | 2004802   |             | SCREW, 10-32 X 1/2" (12MM) PAN HEAD W/NP      | 大扁頭十字螺絲#10-32x1/2"L 點耐落  |
| 15   | 8   |           |             | RIVET   | 拉釘                       |
| 16   | 1   | 5302101   | P04-2947    | UB SEAT FRAME WELDMENT                        | 支撐管組                     |
| 17   | 2   |           | A06-0529    | FLATOVAL END CAP                              | 橢圓管塞                     |



#1 P/N 53020PA-A PTD ASSY, UB BASE FRAME



#2 P/N 53021PA-A  
PTD ASSY, UB SEAT FRAME

